

PUCK XT

Recessed LED Handrail Luminaire

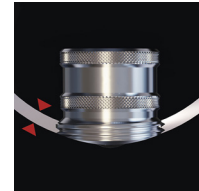


DESCRIPTION

Puck XT is a self-contained recessed luminaire for installation into round or square metal handrail profiles or similar metallic structures. The lighting module is available in warm or neutral color temperatures with a choice of light distributions to satisfy a variety of installation conditions.

FEATURES

- Self-contained stainless steel IP-66 rated LED module
- Remote driver allows up to 15 PUCK XT modules per circuit
- Shunt bypass allows remaining modules to operate in case of single failure
- Three light distributions to meet varying applications
- 3000K or 4000K color temperatures



Date: _____ Type: _____ Catalog Number: _____

Project Name: _____

ORDERING INFORMATION

LUMINAIRE			
MODEL	APPLICATION	CCT	OPTIC
PUCK-XT LED Handrail Module	RD Round Handrail	30K 3000K	ASB Asymmetric Beam
	SQ Square Handrail	40K 4000K	DSB Double-Sided Beam
			OSB* One-Sided Beam (*for round handrail applications only)

REMOTE POWER SUPPLY WITH ENCLOSURE

- RMTPS-UNV-20-500-DIM**
Remote Power Supply With Enclosure, Universal 120/277v Input, 20 Watts, 500mA Drive Current, 0-10v Dimming; Powers 1 to 12 PUCK XT LED Modules
- RMTPS-UNV-25-500-DIM**
Remote Power Supply With Enclosure, Universal 120/277v Input, 25 Watts, 500mA Drive Current, 0-10v Dimming; Powers 4 to 15 PUCK XT LED Modules

ACCESSORIES

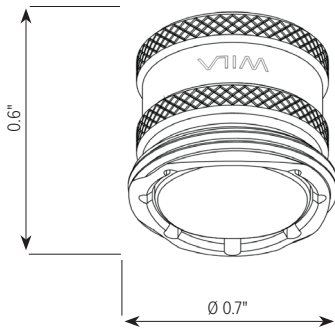
MP003 Gel-Filled Connector	MP098 17mm Drill Bit
MP011 PUCK XT Installation Tool	MP099 17mm Tap
MP016 PUCK XT Drill Guide Jig	

PUCK XT

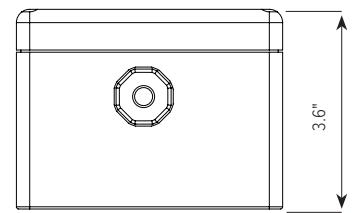
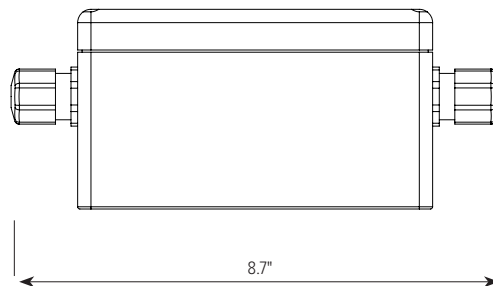
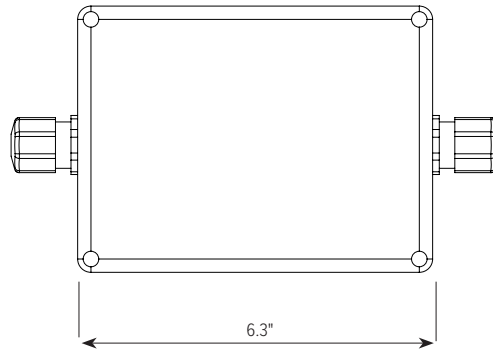
Recessed LED Handrail Luminaire



DIMENSIONS



REMOTE LED DRIVER ENCLOSURE



PRODUCT SPECIFICATIONS

DIMENSIONS	Ø 0.7" x 0.6" D. Luminaire installation depth is 0.7"	
WEIGHT	18 ounces	
HOUSING	316 Stainless Steel	
LENS	Polycarbonate	
IP RATING	IP66 / NEMA 4X	
IK RATING	IK10	
THREAD SIZE	M18 x 1	<i>Note: For round railing, Puck XT will work with diameters from 1.5" to 3.9" (38mm to 100mm) with minimum wall thickness of 1/16" (1.5mm). ADA-compliant railing diameters are 1¼" to 2" OD.</i>
INPUT WATTS	1.5W	
DRIVE CURRENT	500mA (Contact factory for installation into non-metallic materials)	
DRIVER OPERATING TEMP	-20C to 60C	
DRIVER - DAMP LOCATION	Remote Driver : 20 watts for 1-12 LED modules or 25 watts for 4-15 LED modules	
DRIVER - WET LOCATION	Remote Driver : 10 watts for 4-6 LED modules NOTE: Max distance to remote mount a driver is 150ft	
CERTIFICATION	Luminaire is CSA Listed For Wet Location. Driver enclosure is CSA Listed for Damp or Wet Location depending on model.	
CCT	3000K or 4000K	
CRI	> 80	
LUMENS	160 - 185 lumens	

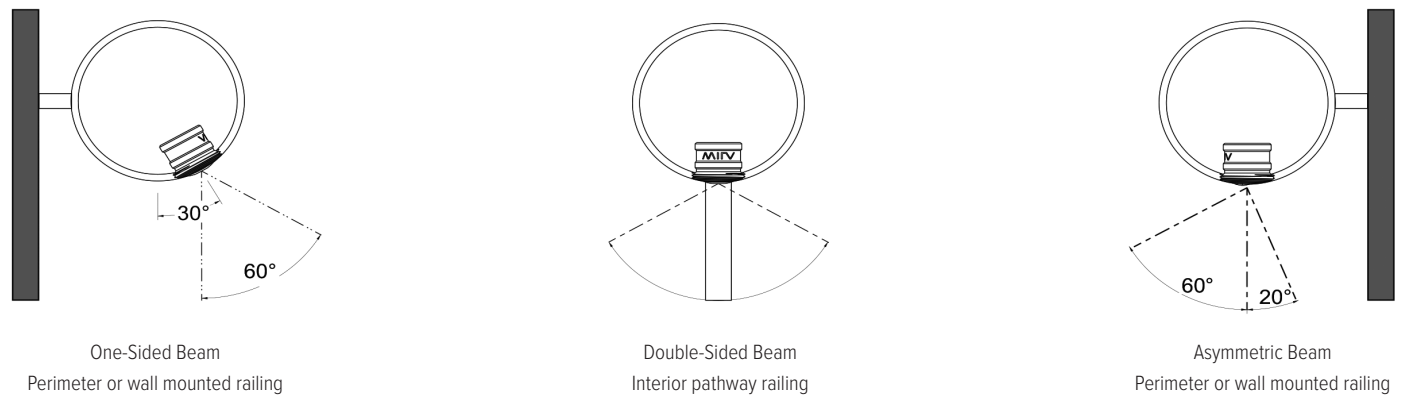
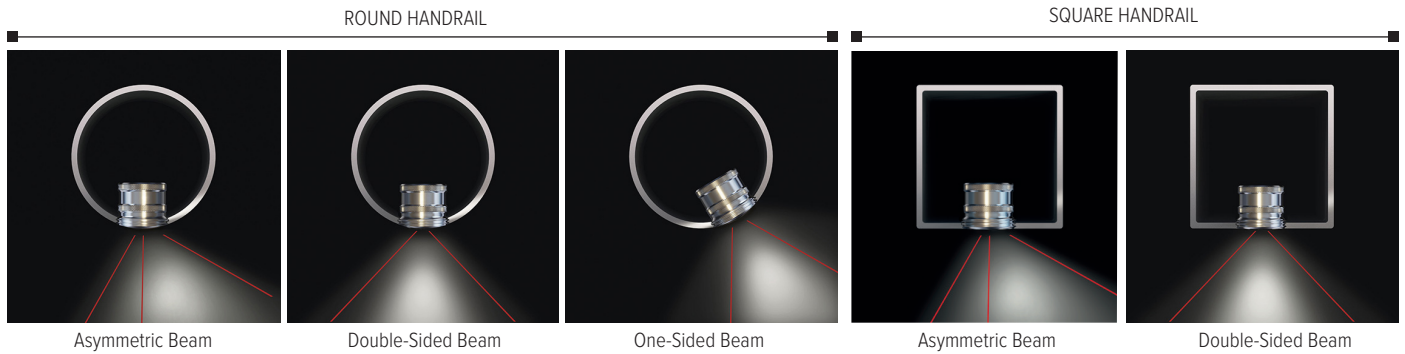
PHOTOMETRICS

For Round Handrails:

- Asymmetric
- Double-Sided Beam
- One-Sided Beam

For Square Handrails:

- Asymmetric
- Double-Sided Beam



PUCK XT

Recessed LED Handrail Luminaire



ALIGNMENT ORIENTATION

Align WILA logo / indicator at right angles to handrail in the desired location of illumination. Modules have curved faces for round handrails and flat faces for square or rectangular handrails.

